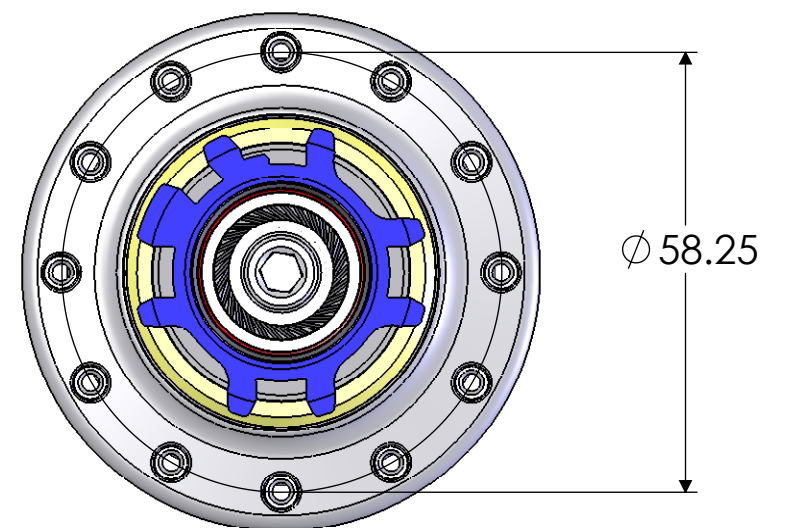
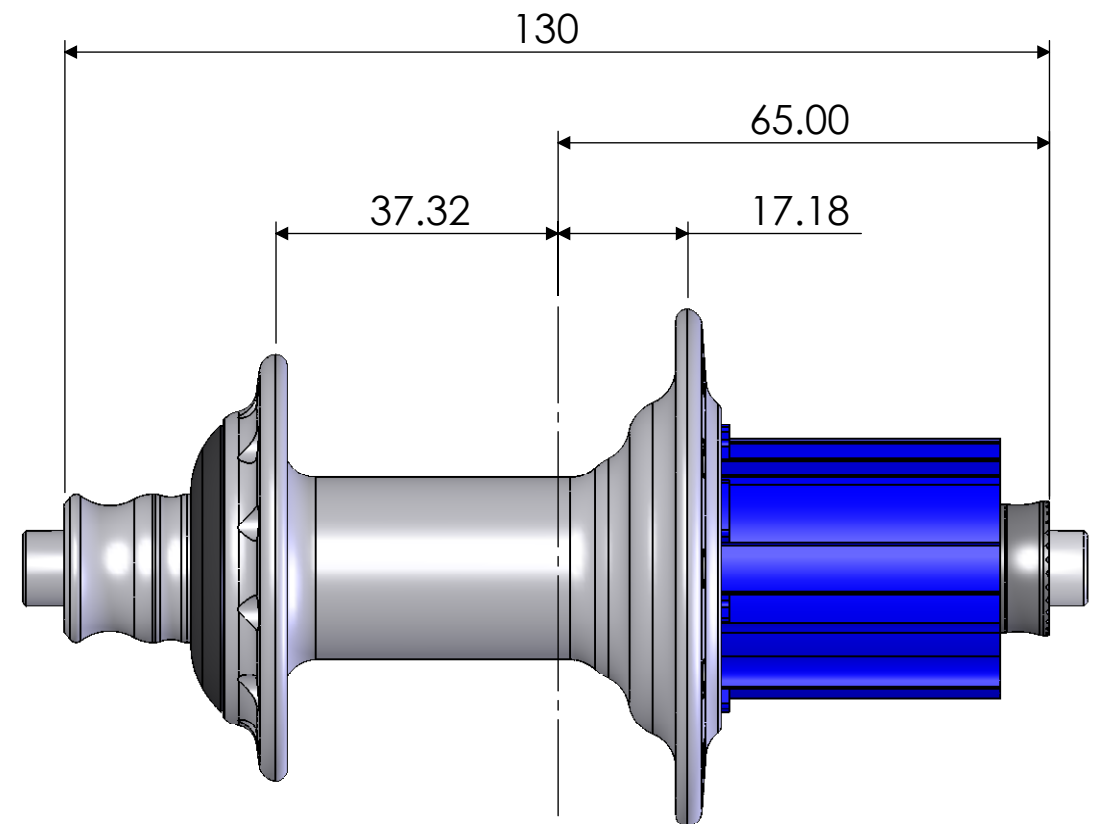
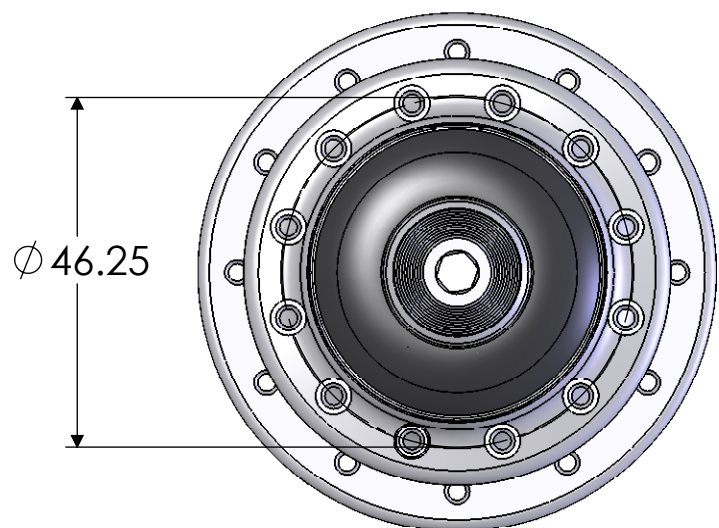



8 7 6 5 4 3 2 1

REV.	DATE	STATUS	ECR No.	DESCRIPTION

D
C
B
A

D
C
B
A



UNLESS OTHERWISE SPECIFIED: DIMENSIONS ARE IN INCHES TOLERANCES:				DEBUR AND BREAK SHARP EDGES		DO NOT SCALE DRAWING		STATUS:	
FRACTIONAL: $\pm 1/32$		ANGULAR: $\pm 0.5^\circ$						1180 N. Main Street Speedway, IN 46224	
.XX : .01		.XXX : 0.005				TITLE:		Zipp 208 Rear Hub	
DRAWN	NAME	SIGNATURE	DATE	MATERIAL:		Part File Name:		REVISION	
	michael_hall		2/19/2007	---		H-208-ASY-001		A-06	
CHK'D				FINISH:		SCALE: 1:1		SHEET 1 OF 1	
APP'VD				-				B	
MFG				WEIGHT:					
Q.A									

PROPRIETARY AND CONFIDENTIAL

THE INFORMATION CONTAINED IN THIS DRAWING IS THE SOLE PROPERTY OF ZIPP SPEED WEAPONRY. ANY REPRODUCTION IN PART OR IN WHOLE WITHOUT THE EXPRESS WRITTEN PERMISSION OF ZIPP SPEED WEAPONRY IS PROHIBITED. ANY AUTHORIZED REPRODUCTION MUST INCLUDE THIS STATEMENT IN ITS ENTIRETY.

8 7 6 5 4 3 2 1