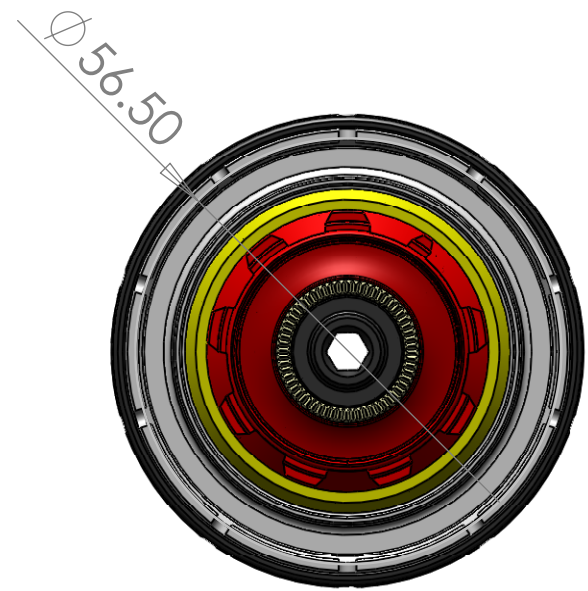
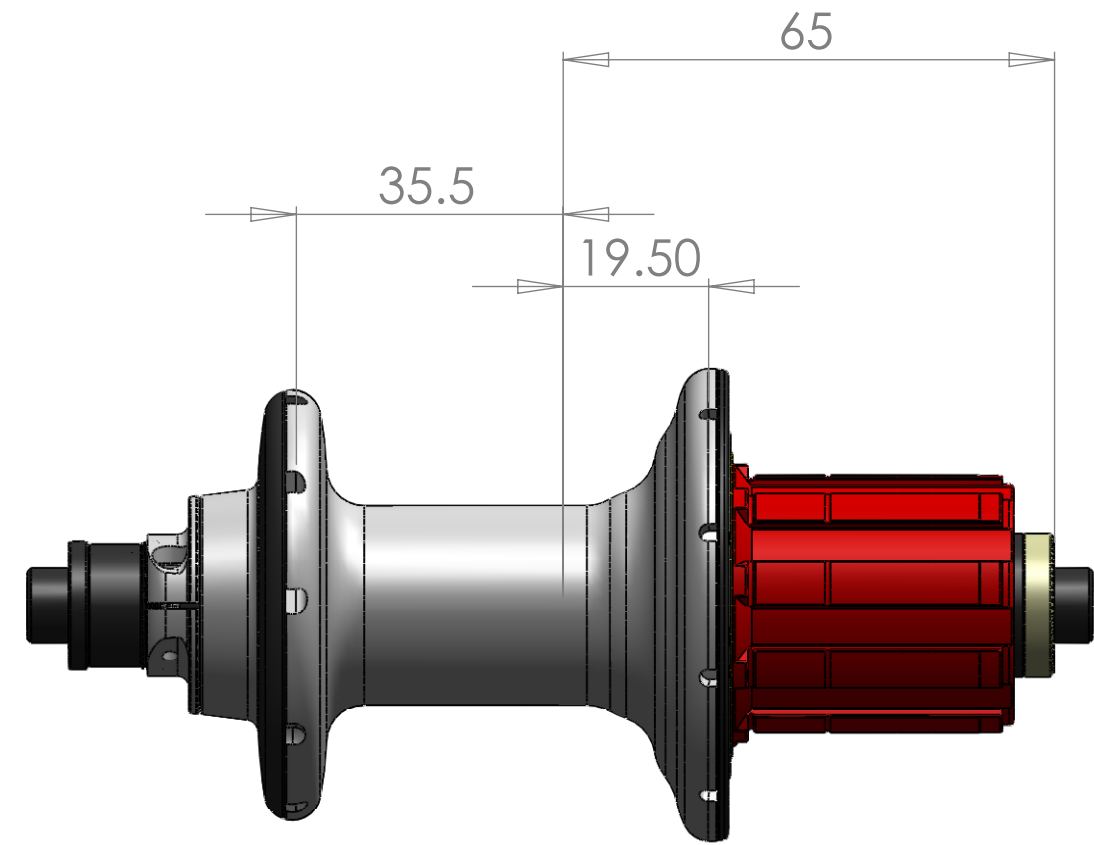
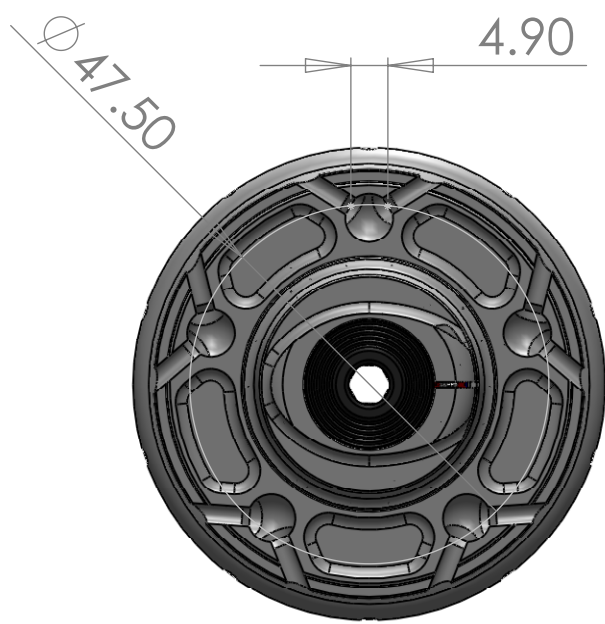



8 7 6 5 4 3 2 1

D
C
B
A

D
C
B
A



PROPRIETARY AND CONFIDENTIAL
 THE INFORMATION CONTAINED IN THIS DRAWING IS THE SOLE PROPERTY OF ZIPP SPEED WEAPONRY. ANY REPRODUCTION IN PART OR IN WHOLE WITHOUT THE EXPRESS WRITTEN PERMISSION OF ZIPP SPEED WEAPONRY IS PROHIBITED. ANY AUTHORIZED REPRODUCTION MUST INCLUDE THIS STATEMENT IN ITS ENTIRETY.

UNLESS OTHERWISE SPECIFIED: DIMENSIONS ARE IN INCHES TOLERANCES:				DEBUR AND BREAK SHARP EDGES		DO NOT SCALE DRAWING		STATUS: Working	
FRACTIONAL: ±1/32		ANGULAR: ±0.5°				 1180 N. Main Street Speedway, IN 46224			
.XX : .01		.XXX : 0.005						TITLE: 188 Shimano Rear Hub Assembly	
DRAWN	NAME	SIGNATURE	DATE	MATERIAL:		Part File Name:		REVISION	
	josh_poertner		1/30/2009			H-188-ASY-0011		A-01	
CHK'D				FINISH:		SCALE:1:10		SHEET 3 OF 3	
APPV'D								B	
MFG				WEIGHT:					
Q.A									

8 7 6 5 4 3 2 1