

Figure 1 Shimano/Sram compatible hub assembly-disassembly view

Diagram Number	Part Description
1	Hub Part 188 Shimano Axle End Cap
2	Hub 188 Threaded Pinch Nut (silver)
3	Hub 188 Bearing Seal and Shield
4	Hub 188 Shell
5	188 Hub Cassette Spacer 0.25mm
6	Hub 188 Shimano/Sram Cassette Body
7	Hub 188 Shimano Cassette Dust Cap Shield
8	Hub 188 Rear Axle Assembly

Table 1 Shimano/SRAM compatible hub assembly parts

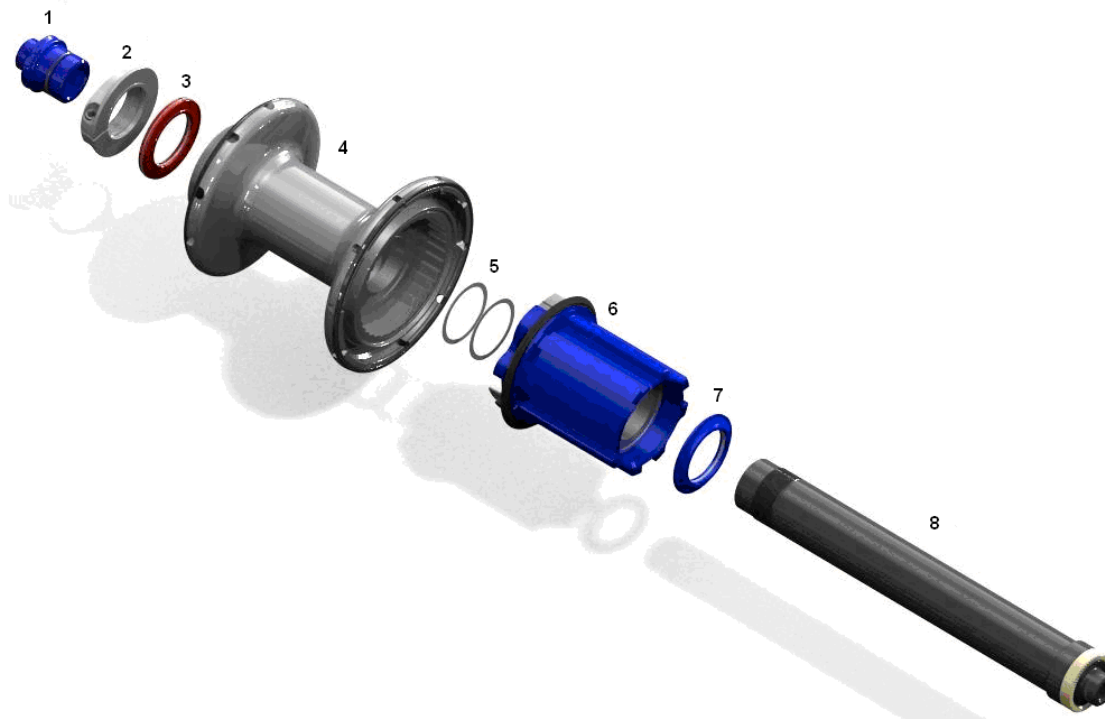


Figure 2 Campagnolo compatible hub assembly, 10 and 11 Speed - disassembly view

Diagram Number	Part Description
1	Hub Part 188 Campy Axle End Cap
2	Hub 188 Threaded Pinch Nut (silver)
3	Hub 188 Bearing Seal and Shield
4	Hub 188 Shell
5	188 Hub Cassette Spacer 0.25mm x 2
6	Hub 188 Shimano/Sram Cassette Body
7	Hub 188 Shimano Cassette Dust Cap Shield
8	Hub 188 Rear Axle Assembly

Table 2 Campagnolo compatible hub assembly parts

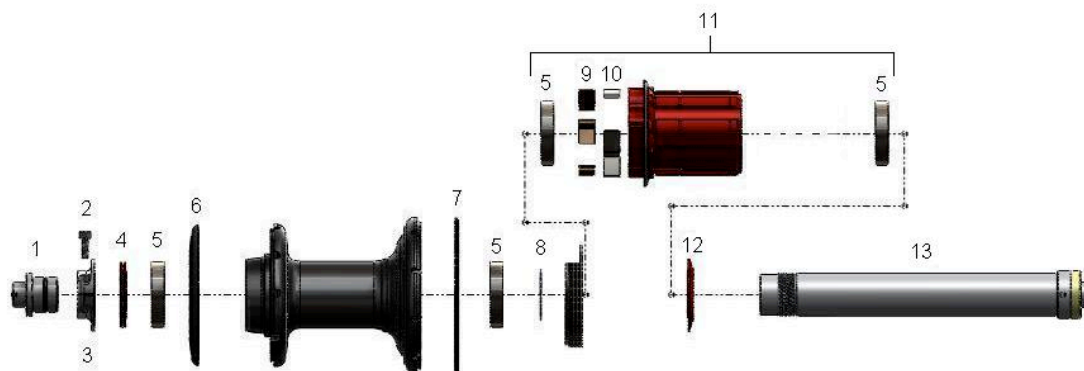


Figure 3 Shimano/SRAM compatible hub assembly-replacement parts view

Diagram Number	Part Description	Part Number
1	Hub Part 188 Shimano Axle End Cap	11.2100.093.000
2	HUB 188 M2.5 x 8 Set Screw for Pinch Nut	11.2100.097.000
2+3	HUB 188 M2.5 x 8 Set Screw and Hub 188 Threaded Pinch Nut (silver)	11.2100.090.060
4	Hub 188 Bearing Seal and Shield (for front and rear)	11.2100.087.000
5	Bearing-61803 2RS (1 piece, hub assembly contains 4 pieces)	11.1900.029.000
6	Hub 188 ND Spoke Cover-Smoke	11.2100.089.030
7	188 Hub Radial Flange Ring-Smoke	11.2100.091.030
8	188 Hub Cassette Spacer 0.25mm	11.2100.083.000
9	Hub188 Pawl (1 piece, hub assembly contains 3 pieces)	11.2100.095.000
10	188 Hub Spring (1 piece, hub assembly contains 3 pieces)	11.2100.081.000
1+8+11+12	Hub 188 Shimano/SRAM Conversion Kit	11.2100.094.000
12	Hub 188 Shimano Cassette Dust Cap Shield	11.2100.088.000
13	Hub 188 Rear Axle Assembly	11.2100.096.000

Table 3 Shimano/SRAM compatible hub standard replacement parts

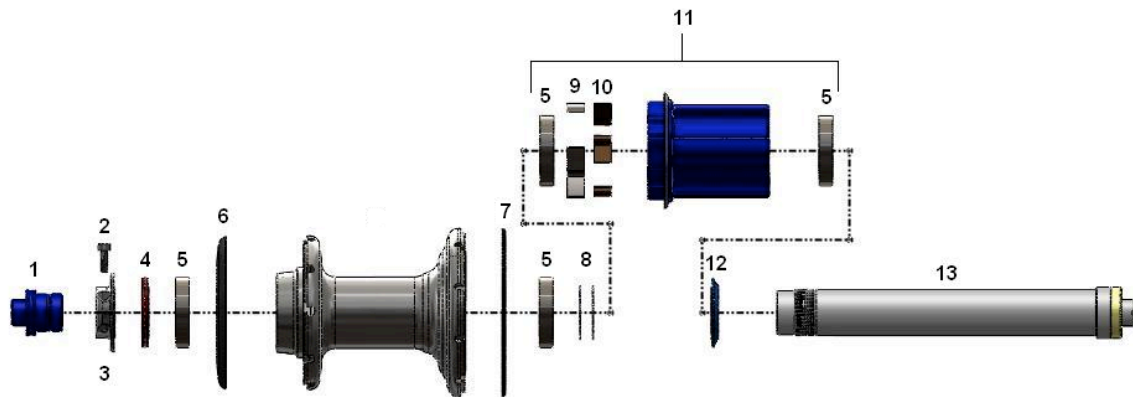


Figure 4 Campagnolo compatible hub replacement parts, 10 and 11 Speed

Diagram Number	Part Description	Part Number
1	Hub Part 188 Campy Axle End Cap	11.2100.093.010
2	HUB 188 M2.5 x 8 Set Screw for Pinch Nut	11.2100.097.000
2+3	HUB 188 M2.5 x 8 Set Screw and Hub 188 Threaded Pinch Nut (silver)	11.2100.090.060
4	Hub 188 Bearing Seal and Shield (for front and rear)	11.2100.087.000
5	Bearing-61803 2RS (1 piece, hub assembly contains 4 pieces)	11.1900.029.000
6	Hub 188 ND Spoke Cover-Smoke	11.2100.089.030
7	188 Hub Radial Flange Ring-Smoke	11.2100.091.030
8	188 Hub Cassette Spacer 0.25mm (1 piece, both 10 and 11 speed hub assemblies contain 2 pieces)	11.2100.083.000
9	Hub188 Pawl (1 piece, hub assembly contains 3 pieces)	11.2100.095.000
10	188 Hub Spring (1 piece, hub assembly contains 3 pieces)	11.2100.081.000
1+8+11+12	Hub 188 Campy Conversion Kit (includes 2 pieces of part #8)	11.2100.094.010
12	Hub 188 Campy Cassette Dust Cap Shield	11.2100.086.010
13	Hub 188 Rear Axle Assembly	11.2100.096.000

Table 4 Campagnolo compatible hub standard replacement parts

REVISION	DESCRIPTION
A	RELEASE
B	IN TABLES 3 AND 4, THE PART NUMBER OF ITEM (2+3) 11.2100.090.060 WAS 11.2100.098.000