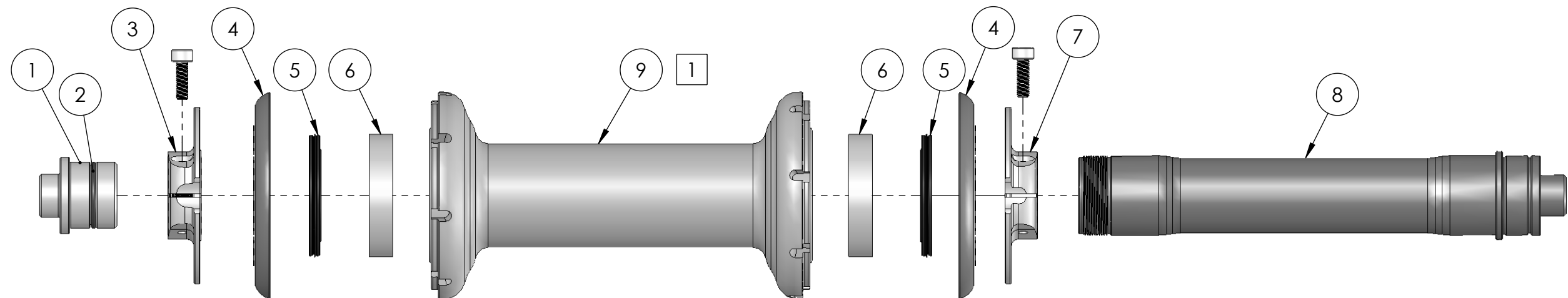


ITEM	PART NUMBER	QTY	DESCRIPTION
1	11.2000.093.000	1	HUB 88 FRONT END CAP
2	11.2100.084.000	1	HUB 188 O-RING 12 x 14 x 1MM
3	11.2000.090.061	1	HUB 88 THREADED CLINCH NUT - SLV
4	11.2000.080.031	2	HUB 88 FRONT RADIAL REINFORCE RING - SMOKE
5	11.2100.087.000	2	HUB 188 SEAL & SHIELD (FOR FRONT & REAR)
6	11.1900.029.000	2	BEARING
7	11.2000.081.061	1	HUB 88 FRONT NONTHREADED CLINCH NUT - SLV
8	11.2000.094.000	1	HUB 88 FRONT AXLE
9	1	1	HUB SHELL 88 FRONT

REV.	DATE	STATUS	ECR No.	DESCRIPTION
A-01	4/20/2009	Working		FIRST INITIAL CHECK-IN TO VAULT
A-02	5/28/2009	Working		ADDED BOM TABLES
A-03	4/7/2010	Working		ASSEMBLY UPDATED WITH GEN3 HUB PARTS
A-04	3/11/2011	Working		ITEMS 3,4,6, 7 REMOVED FROM TABLE 1/ ITEM 3 WAS 11.2100.090.060, ITEM 4 WAS 11.2000.080.030, ITEM 7 WAS 11.2000.081.060
A-05	3/11/2011	Working		SILVER ADDED TO ITEM 7
A-06	3/15/2011	Released		ITEM 1: PART REMOVED FROM DESCRIPTION/ ITEM 2: DESCRIPTION WAS 188 HUB/ ITEM 3: WAS 11.2100.090.061, 188 REMOVED FROM DESCRIPTION/ ITEM 4: DESCRIPTION WAS 88 HUB

TABLE 1 HUB ASSEMBLIES 1	
PART NUMBER	DESCRIPTION
00.2000.007.010	HUB 88 FRT 16H
00.2000.007.020	HUB 88 FRT 18H
00.2000.007.050	HUB 88 FRT 20H
00.2000.007.021	HUB 88 FRT 24H



NOTES:

1. HUB SHELL NOT PURCHASED SEPARATELY. HUB SHELL INCLUDED IN PURCHASED HUB ASSEMBLY. SEE TABLE 1

PROPRIETARY AND CONFIDENTIAL

THE INFORMATION CONTAINED IN THIS DRAWING IS THE SOLE PROPERTY OF ZIPP SPEED WEAPONRY. ANY REPRODUCTION IN PART OR IN WHOLE WITHOUT THE EXPRESS WRITTEN PERMISSION OF ZIPP SPEED WEAPONRY IS PROHIBITED. ANY AUTHORIZED REPRODUCTION MUST INCLUDE THIS STATEMENT IN ITS ENTIRETY.

UNLESS OTHERWISE SPECIFIED: DIMENSIONS ARE IN INCHES TOLERANCES: FRACTIONAL: ±1/32 .XX : .01			DEBUR AND BREAK SHARP EDGES	DO NOT SCALE DRAWING	STATUS: Released
			ZIPP SPEED WEAPONRY 1180 N. Main Street Speedway, IN 46224		
DRAWN	NAME john_marshall	SIGNATURE	DATE 3/15/2011	TITLE: 088 FRONT HUB ASSEMBLY	
CHK'D				REVISION A-06	
APPV'D				Part File Name: H-088-ASY-003	
MFG				SCALE:1:1	
Q.A				SHEET 1 OF 2	
			WEIGHT:	B	

8 7 6 5 4 3 2 1

D D

C C

B B

A A

37.42 CENTER TO HUB FLANGE

74.84

Ø38.06 HUB FLANGE DIA.

Ø8.85

100


109.85

⌀

GENERAL HUB ASSEMBLY DIMENSIONS

PROPRIETARY AND CONFIDENTIAL

THE INFORMATION CONTAINED IN THIS DRAWING IS THE SOLE PROPERTY OF ZIPP SPEED WEAPONRY. ANY REPRODUCTION IN PART OR IN WHOLE WITHOUT THE EXPRESS WRITTEN PERMISSION OF ZIPP SPEED WEAPONRY IS PROHIBITED. ANY AUTHORIZED REPRODUCTION MUST INCLUDE THIS STATEMENT IN ITS ENTIRETY.

DO NOT SCALE DRAWING		STATUS: Released	
 1180 N. Main Street Speedway, IN 46224			
TITLE: 088 FRONT HUB ASSEMBLY			
Part File Name: H-088-ASY-003		REVISION A-06	
SCALE:1:1		SHEET 2 OF 2	

B

8 7 6 5 4 3 2 1