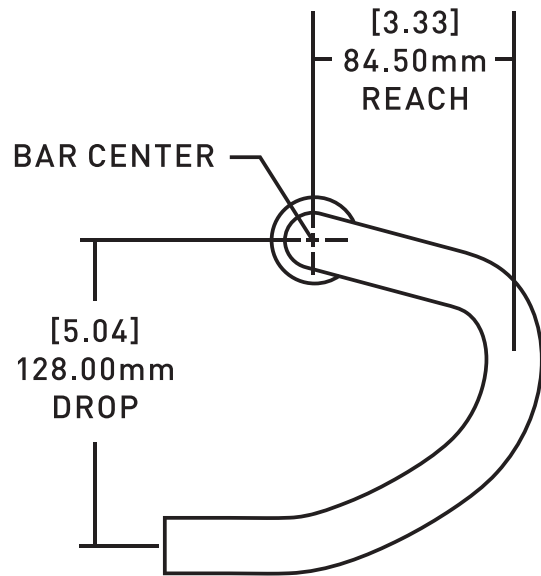
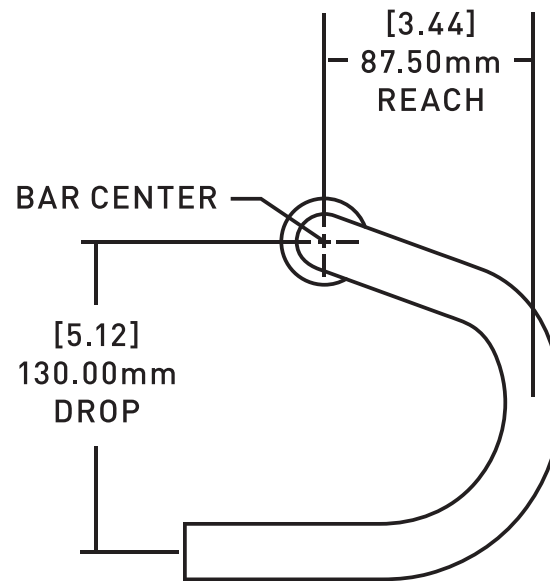




REACH AND DROP DIMENSIONAL SPECIFICATIONS FOR ZIPP DROP BARS



SS SHORT & SHALLOW



TB TRADITIONAL BEND