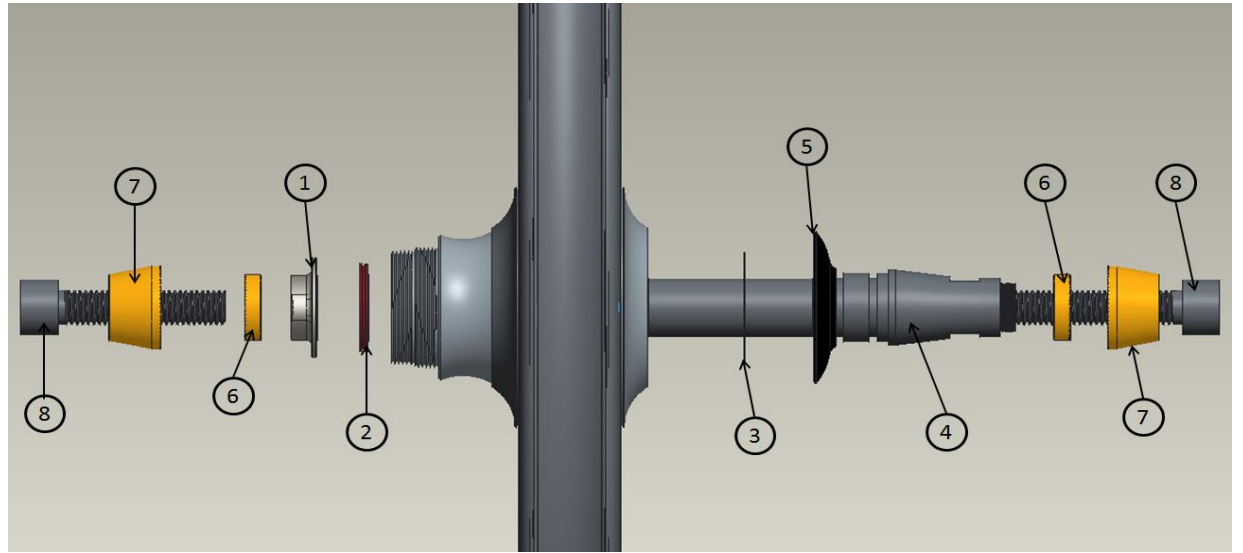


ITEM	PART NUMBER	QTY	DESCRIPTION
1	11.2018.000.007	1	CLINCH NUT & SCREW THREAD NDS BLK
2	11.2100.087.000	1	HUB 188 SEAL & SHIELD (FOR FRONT & REAR)
3	11.2100.057.000	1	2006 BLACK RETAINING RING
4	20.2018.011.000	1	HUB TRACK AXLE 188V8 DISC
5	20.2018.010.000	1	HUB TRACK DUST CAP 188V8 DISC BLK
6	20.2018.013.000	2	HUB TRACK AXLE 188V8 INNER WASHER KNURL
7	20.2018.014.000	2	HUB TRACK AXLE 188V8 OUTER WASHER KNURL
8	11.2100.105.000	2	DISC HUB 188 HEX BOLT TRACK AXLE



SRAM [®]	
Confidential - This drawing contains information that is proprietary to SRAM Corporation and may not be disclosed without permission.	
DRAWING NAME / DESCRIPTION	
CONVERSION KIT DISC 11S TO TRACK 188 BLK	
DRAWING NUMBER	REVISION
11-1918-026-000	